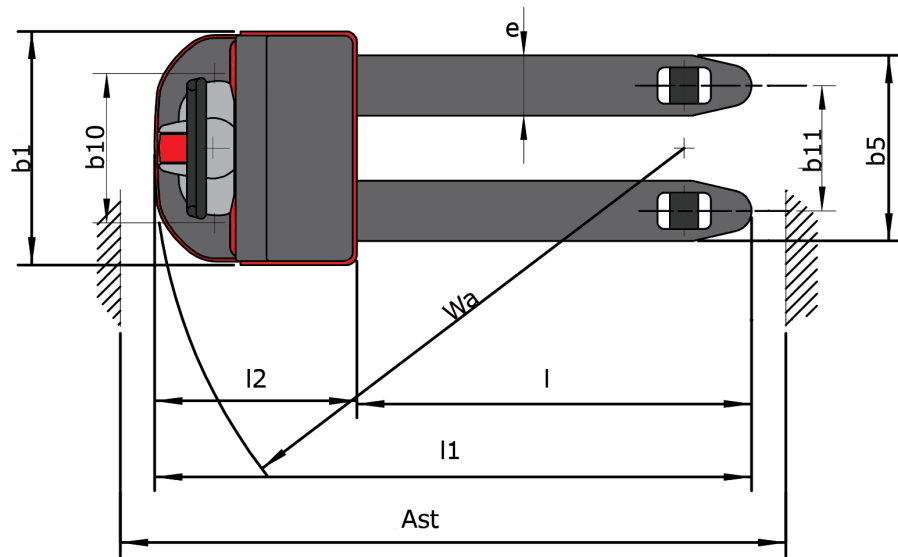
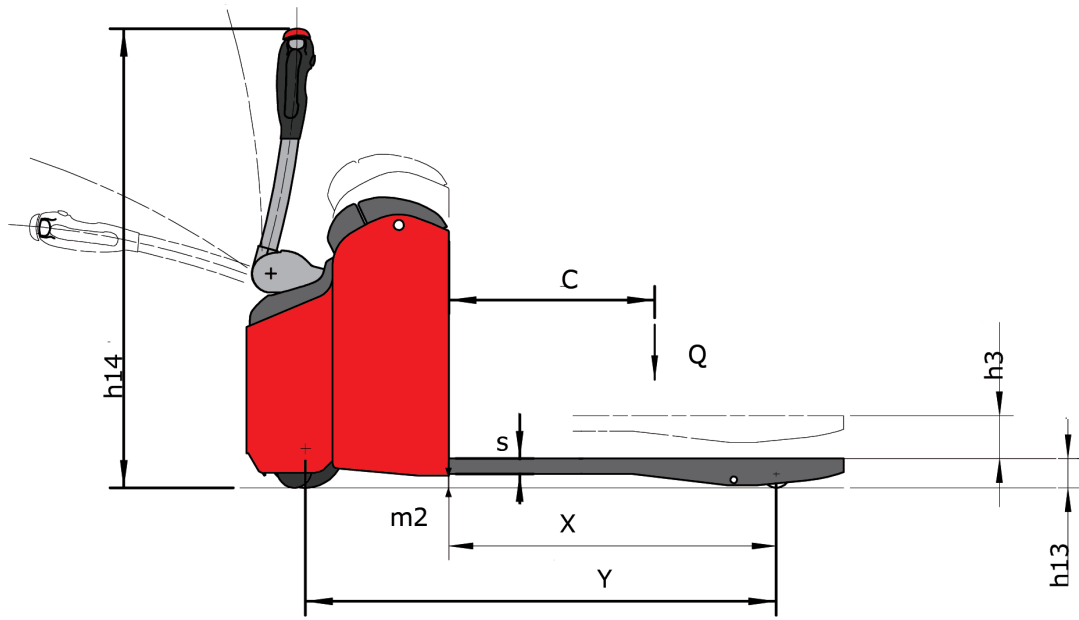




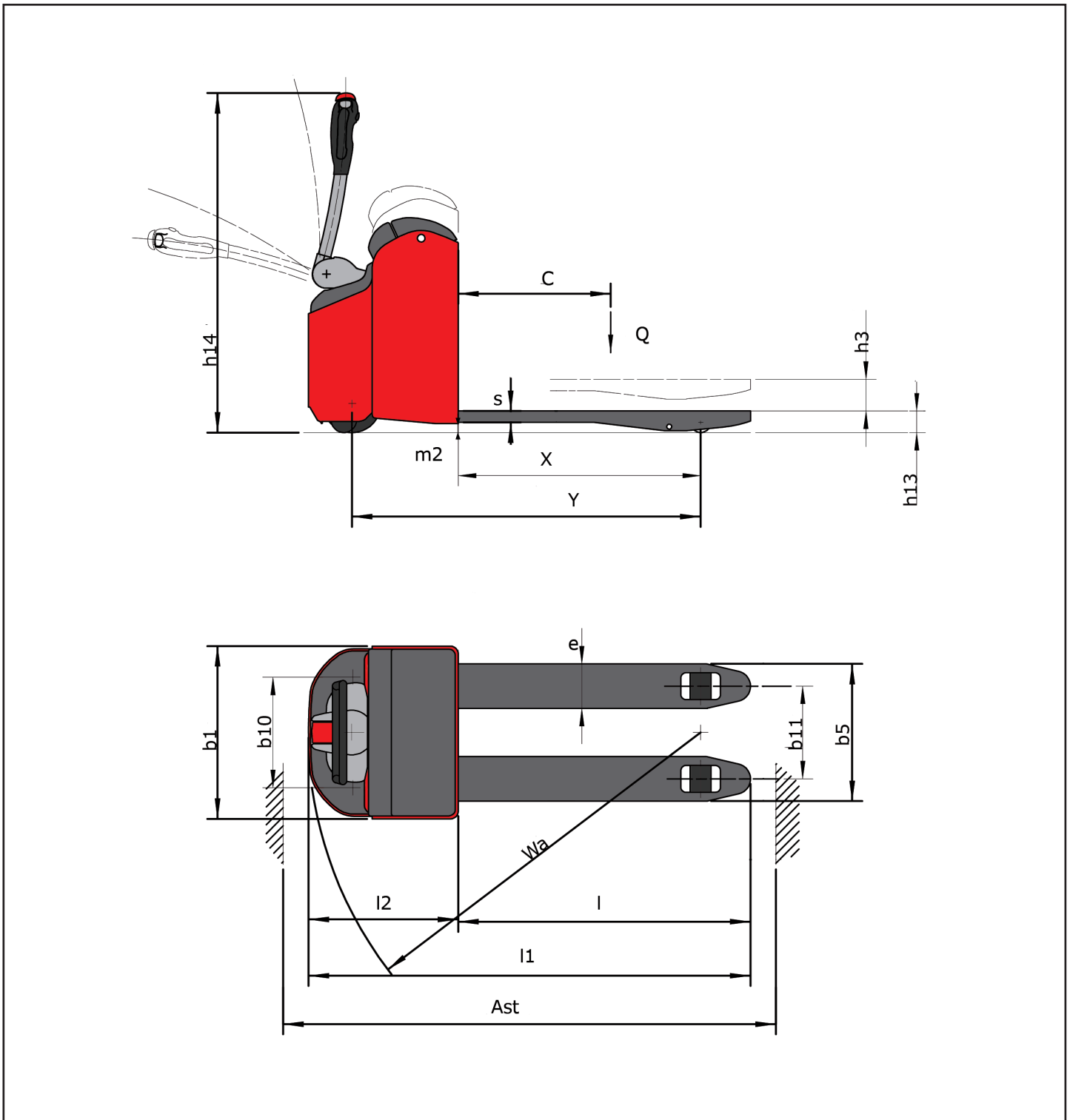
				MANITOU	MANITOU
				EP16	EP18
		Q	kg	1600	1800
		c	mm	600	600
		x	mm	964/901	953/890
		y	mm	1309/1246	1372/1312
			kg	445	480
			kg	825/1185	1002/1278
			kg	311/134	336/144
			mm	1x(Ø230x75)	1x(Ø230x75)
			mm	4x(Ø82x100)	2x(Ø82x100)
			mm	2x(Ø100x40)	2x(Ø100x40)
				1x + 2/4	1x + 2/2
		b10	mm	435	435
		b11	mm	365	365
		h3	mm	125	125
		h14	mm	1320	1336
		h13	mm	85 ⁺⁵⁻⁰	85 ⁺⁵⁻⁰
		l1	mm	1659	1739
		l2	mm	480	589
		b1	mm	680	680
		s / e / l	mm	47x160x1150	45x175x1150
		b5	mm	526*	540*
		m2	mm	38	35
		Ast	mm	1921	1939
		Wa	mm	1475/1422	1544/1484
			km/h	5,8/6	5,8/6
			m/s	0,030/0,038	0,030/0,038
			m/s	0,050/0,045	0,049/0,045
			%	10/25	10/25
			kW	1,2	1,2
			kW	1	1
			BS		-
			V/Ah	24/170	24/180**
			kg	170	180
			db (A)	65	65

*
**



				MANITOU	MANITOU
				EP20	EP22
		Q	kg	2000	2200
		c	mm	600	600
		x	mm	953/890	953/890
		y	mm	1372/1312	1452/1392
			kg	482	560
			kg	1077/1405	1286/1474
			kg	337/145	392/168
			mm	1x(Ø230x75)	1x(Ø230x75)
			mm	4x(Ø82x100)	4x(Ø82x100)
			mm	2x(Ø100x40)	2x(Ø100x40)
				1x + 2/4	1x + 2/4
		b10	mm	435	435
		b11	mm	365	365
		h3	mm	125	125
		h14	mm	1336	1336
		h13	mm	85 ⁺⁵⁻⁰	85 ⁺⁵⁻⁰
		l1	mm	1739	1819
		l2	mm	589	589
		b1	mm	680	680
		s / e / l	mm	45x175x1150	45x175x1150
		b5	mm	540*	540*
		m2	mm	35	35
		Ast	mm	1939	2019
		Wa	mm	1544/1484	1624/1564
			km/h	5,8/6	5,8/6
			m/s	0,029/0,038	0,028/0,038
			m/s	0,049/0,028	0,052/0,045
			%	10/25	10/25
			kW	1,2	1,7
			kW	1	2
				-	-
			V/Ah	24/180**	24/270**
			kg	180	245
			db (A)	65	65

*
**



				MANITOU	MANITOU
				EP22 PFR6	EP22 PFR9***
		Q	kg	2200	2200
		c	mm	600	600
		x	mm	894	894
		y	mm	1496/1436	1496/1436
			kg	610	630
			kg	1239/1571	1247/1543
			kg	415/195	425/205
			mm	1x(Ø230x75)	1x(Ø230x75)
			mm	4x(Ø82x68)	4x(Ø82x68)
			mm	2x(Ø120x50)	2x(Ø120x50)
				1x + 2/4	1x + 2/4
		b10	mm	435	435
		b11	mm	365/505	365/505
		h3	mm	125	125
		h14	mm	1276	1276
		h13	mm	85 ⁺⁵⁻⁰	85 ⁺⁵⁻⁰
		l1	mm	1956/2463	1956/2518
		l2	mm	726/1233	726/1288
		b1	mm	688	688
		s / e / l	mm	45x175x1150	45x175x1150
		b5	mm	540/680*	540/680*
		m2	mm	40	40
		Ast	mm	2250	2250
		Wa	mm	1805	1805
			km/h	5,6/6	8,5/9
			m/s	0,029/0,038	0,029/0,038
			m/s	0,05/0,045	0,05/0,045
			%	10/20	12/20
			kW	1,7	1,7
			kW	2	2
				-	-
			V/Ah	24/270	24/270 (375 max)
			kg	245 (360 max)**	245 (360 max)**
			db (A)	65	65

*
**

